

## Flanged bolts

for clamp mountings

### SPECIFICATION

Steel zinc plated, blue passivated

### INFORMATION

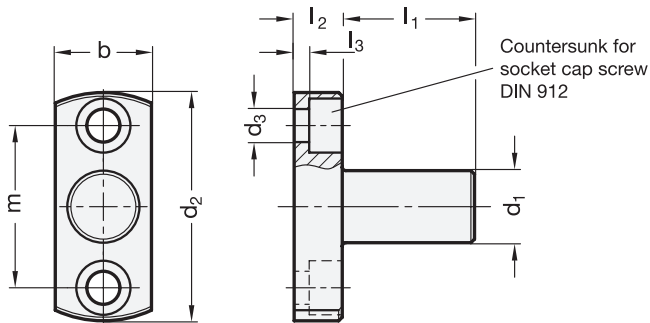
GN 480 Flanged bolts are used in connection with clamp mountings, as foot or as connecting element, e.g. for adjustments in width or height.

With their low flange height, they provide an alternative for the foot clamp mounting GN 473 (see page 1878) in applications where clamping is required at low height above the clamping surface.

The bore distance  $m$  of the flanged bolts GN 480 is matched with the clamp mountings GN 473 (see page 1878) and GN 477 (see page 1879) as well as with retaining magnets GN 51.6 (see page 2032).

### TECHNICAL INFORMATION

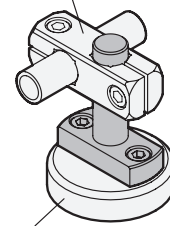
- ISO Fundamental Tolerances (see page A21)



### Application example

Clamp mounting GN 474

Retaining magnet GN 51.6



### GN 480

Description	d1 h9	l1	b	d2	d3	l2	l3	m	△
GN 480-8-18	8	18	14	31.5	M 4	6	2	22	23
GN 480-8-32	8	32	14	31.5	M 4	6	2	22	40
GN 480-10-21	10	21	16	38	M 5	8	2.5	27	43
GN 480-10-37	10	37	16	38	M 5	8	2.5	27	52
GN 480-12-22	12	22	16	38	M 5	8	2.5	27	49
GN 480-12-39	12	39	16	38	M 5	8	2.5	27	64
GN 480-15-27,5	15	27,5	20	45	M 6	10	4	32	94
GN 480-15-47,5	15	47,5	20	45	M 6	10	4	32	122
GN 480-16-28	16	28	20	45	M 6	10	4	32	100
GN 480-16-49	16	49	20	45	M 6	10	4	32	133
GN 480-20-35	20	35	25	50	M 6	10	4	36	166
GN 480-20-60	20	60	25	50	M 6	10	4	36	240

